

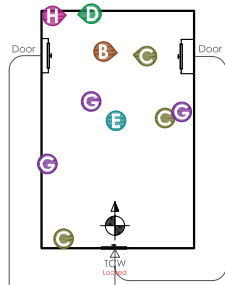
The Haunted Burrow



- B** Attic Trophy
- C** Bone Pile
- D** Scared Hobbit
- E** Cold Chains
- G** Bilbo's Wine
- H** Bucket of Tricks

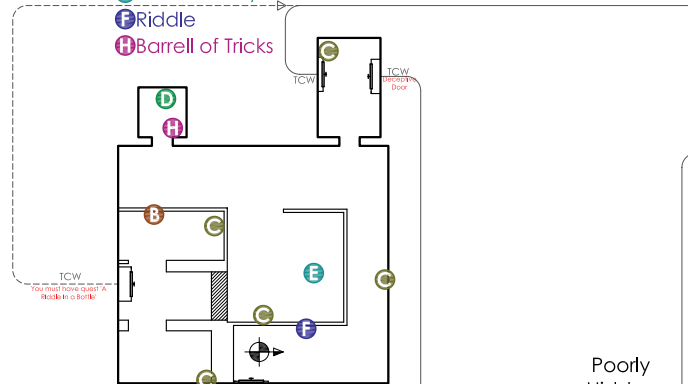
- B** Cobwebbed Wing Trophy
- C** Sticky Cocoon
- D** Scared Hobbit
- E** Jar of Honey
- F** Riddle
- H** Barrell of Tricks

- B** Basement Trophy
- C** Disgusting Puddle
- D** Scared Hobbit
- F** Riddle
- H** Barrell of Tricks

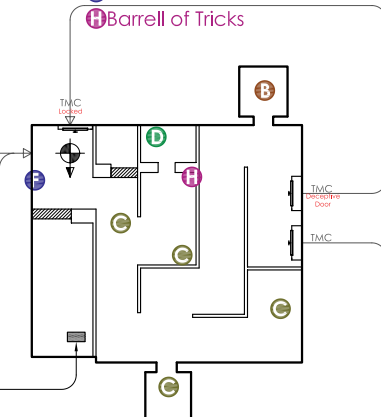


The Attic

Door Legend
 BSMT = Basement
 MD = Mystery Door
 TCW = The Creeping Wing
 TCwW = The Cobwebbed Wing
 TMC = The Main Cellar



The Cobwebbed Wing

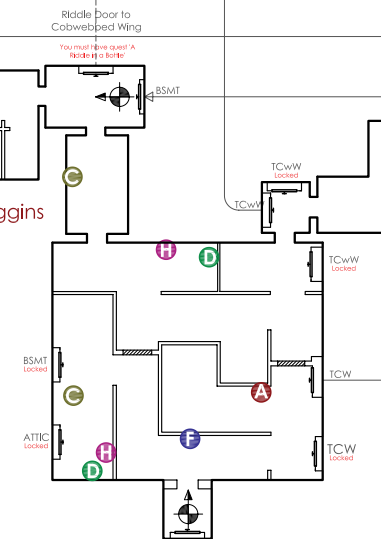


The Basement

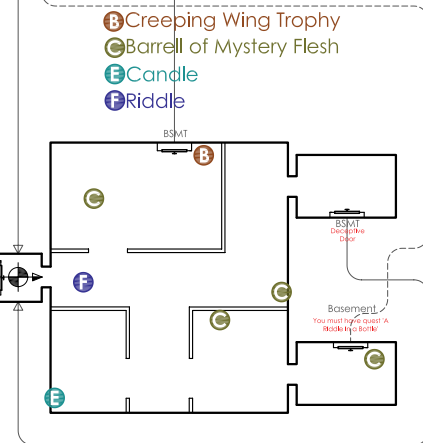
- Out-of-Place Strongbox
- Out-of-Place Lockbox
- Out-of-Place Chest

Mystery [Wing]

- A** Lobelia Sackville-Baggins
- C** Jar of Crawlies
- D** Scared Hobbit
- F** Riddle
- H** Barrell of Tricks



The Main Cellar



The Creeping Wing

- A** The Haunted Burrow
- B** A Stroll Through the Haunted Burrow
A Race Through the Haunted Burrow
- C** Valuables Gone Astray
- D** The Great Hobbit Rescue
- E** Roaring Maw in the Haunted Burrow
Wailing in the Haunted Burrow
Rattling in the Haunted Burrow
- F** A Riddle in a Bottle
- G** The Inn League Excavation
- H** The Ale Association -- A
Game of Hobbit Harrying

- Zone-in Location & Direction
- Secret Door
- Travel Route
- Riddle Quest Travel Route

